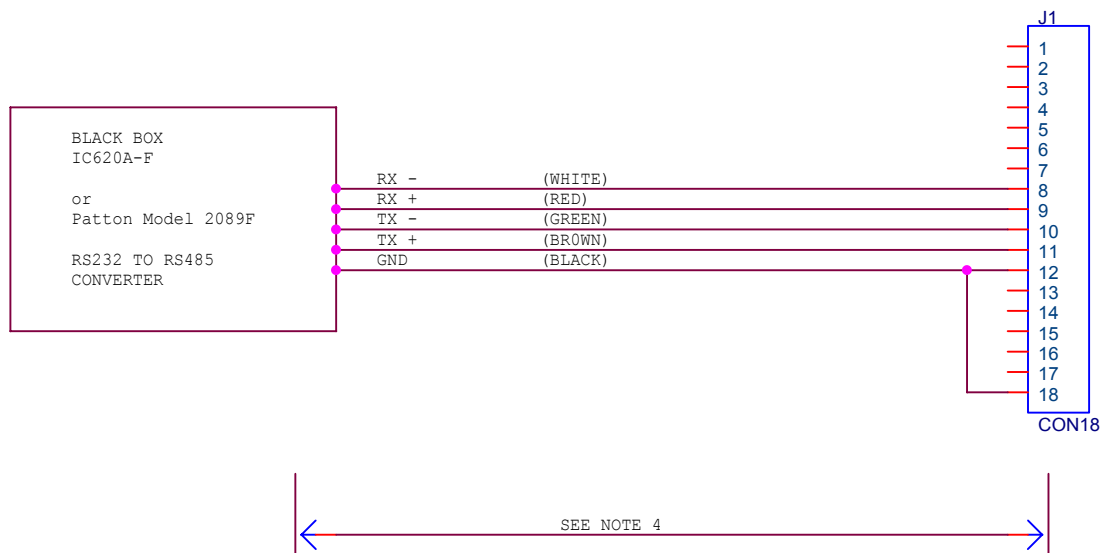


NOTES :

- 1 CABLE IS 6 WIRES, 22 AWG WITH OVER ALL SHIELD (BELDEN 9611).  
SHIELD CONNECTED TO PIN 18.
- 2 CONNECTOR TYPE IS CONXALL 13282-18SG-32, AT J1.
- 3 CABLE ASSEMBLY SHALL BE CONSTRUCTED TO BE WATER TIGHT.
- 4 CABLE TO BE IDENTIFIED BY "RS485", PART NUMBER, DASH CABLE  
LENGTH (IN FEET) USING UV RESISTANT INK AND MATERIALS.
- 5 BLACK BOX CONVERTER IS SPECIFIED AS ANACOM P/N 12007.
- 6 TX AND RX ARE REFERENCED TO TX AND RX FOR CONVERTER.
- 7 THE DTE/DCE SWITCH ON THE CONVERTER SHOULD BE SET TO DCE.
- 8 REFER TO TABLE BELOW FOR DIP-SWITCH CONFIGURATION.



SWITCH	POSITION
S1-1	ON
S1-2	OFF
S1-3	OFF
S1-4	OFF
S2-1	OFF
S2-2	ON
S2-3	OFF
S2-4	OFF

ANACOM, INC.		
Title CABLE, RS232-RS485/PROTECTION SWITCH, DB9		
Size A	Document Number 31415	Rev 2
Date:	Thursday, February 19, 2004	Sheet 1 of 1