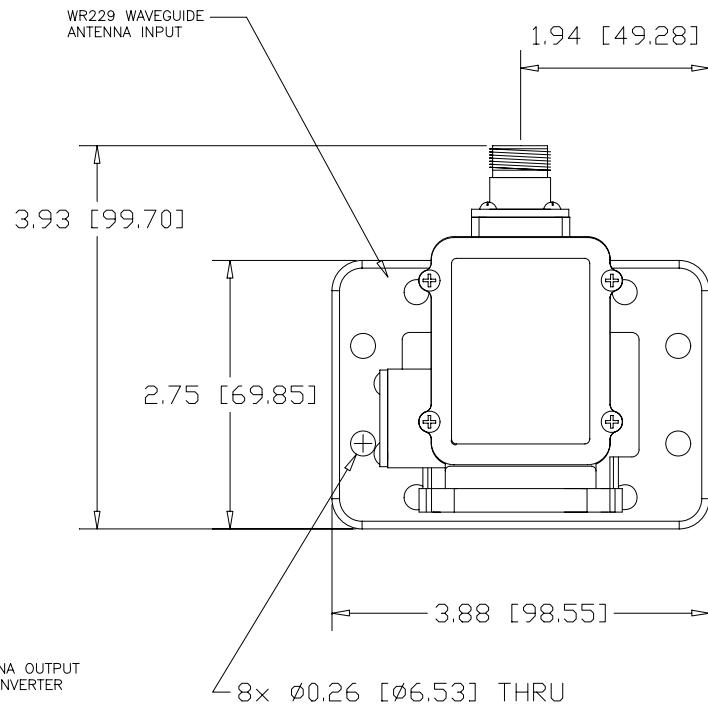
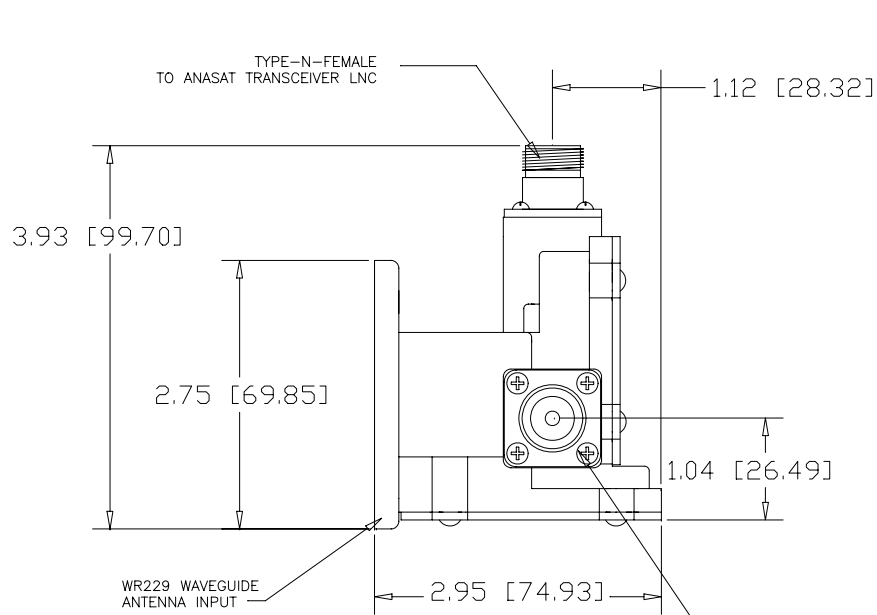


REV	BY	DESCRIPTION	DATE	APPROVED
1	JLH	PROTOTYPE RELEASE	3/5/99	JT
2	ZHU		7/17/09	



PROPRIETARY INFORMATION
 THE INFORMATION CONTAINED HEREIN IS
 TO BE USED FOR PRODUCTION/REWORKING
 PURPOSES TO THE EXCLUSIVE BENEFIT OF
 ANACOM, INC. IT SHALL NOT BE DISCLOSED OR COPIED TO
 ANY THIRD PARTY WITHOUT THE EXPRESS WRITTEN
 CONSENT OF ANACOM ENGINEERING, INC.

ITEM NO.	ZONE	MATERIAL/SPECIFICATION	QUANTITY	DESCRIPTION	UNIT OF MEASURE	QTY REQ.
3RD ANGLE PROJECTION			LIST OF MATERIAL OR PARTS LISTS			
MATERIAL:		SPECIFICATIONS: ALL DIMENSIONS ARE IN INCHES. DIMENSIONS IN [] ARE IN MILLIMETERS. TOLERANCES: ANGLES ± 1° .125 ± .005 [3.175] ± .010 .001 ± .002 [0.025] ± .005 .000 ± .000 [0.000] ± .000 ALL SURFACES FINISH EXCEPT AS NOTED DRAWN: JULY DATE: 3/5/99 DESIGNED: DATE:				
FINISH:		DO NOT SCALE ENGINEER: DATE: CHECKED: DATE: TYPED: DATE: DATE:				
DASH NO.		NEXT ASSY		USED ON		
APPLICATION		SCALE: NONE		FILE NO. 31188		SHEET 1 OF 1

Anacom, Inc.
 OUTLINE DRAWING
 C-BAND, LNC
 DRAWING NUMBER
 31188021