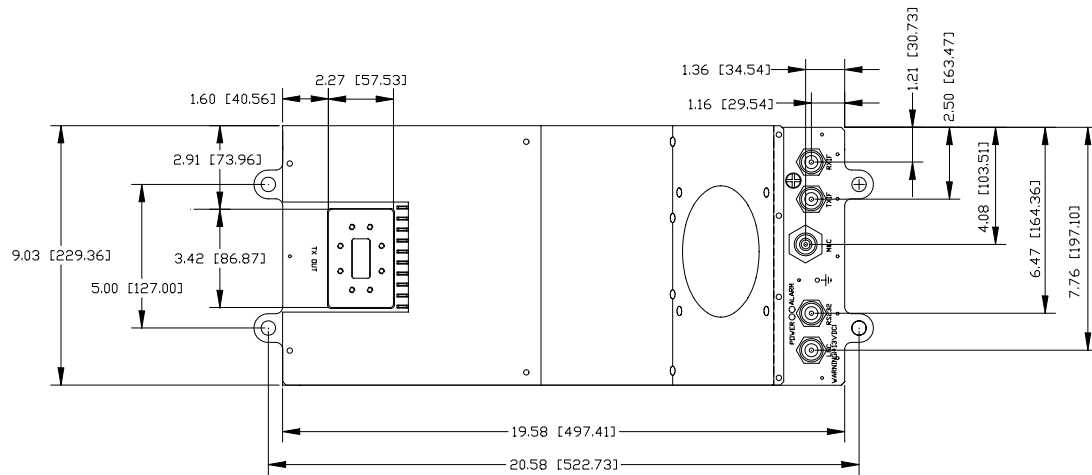
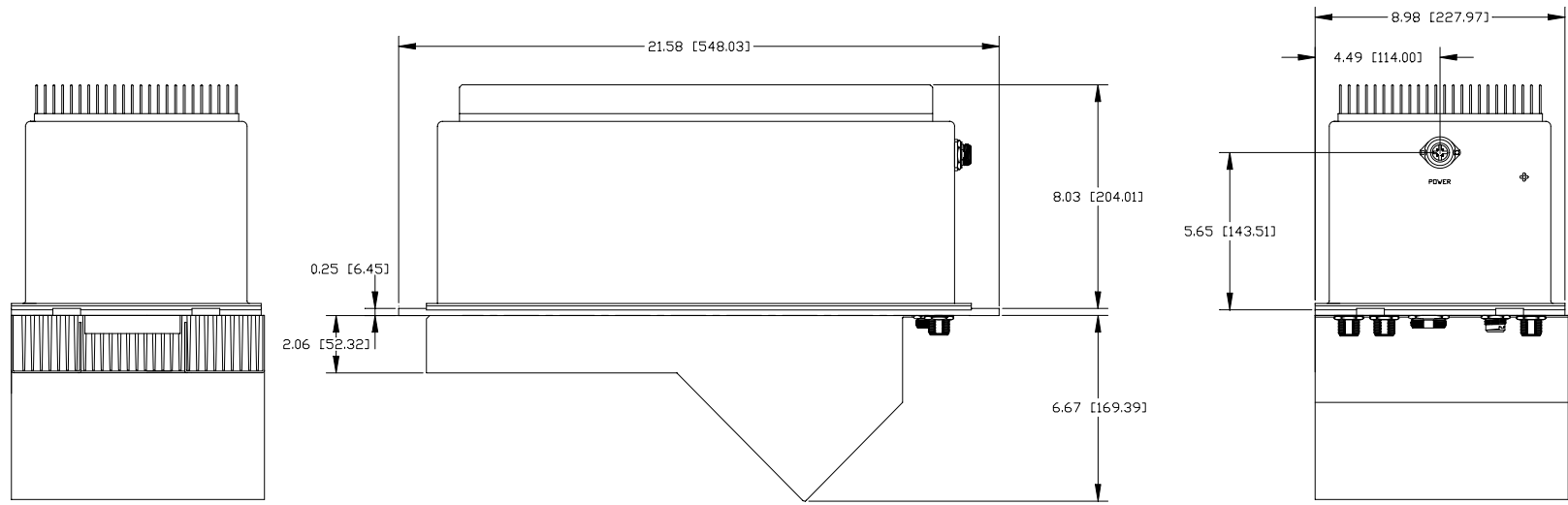


REV	BY	DESCRIPTION	DATE	APPROVED
1	ZHU	PRTOTYPE RELEASED	10/08/01	
2	ZHU	REV PER ECO #473	12/10/01	



ANACOM, INC.

OUTLINE DRAWING
ODU, 50/60 WATT C-BAND

SIZE	CLASS CODE	DRAWING NUMBER	REV
D		31442	2
SCALE: NONE	FILE No. 31442021	SHEET 1	OF 1