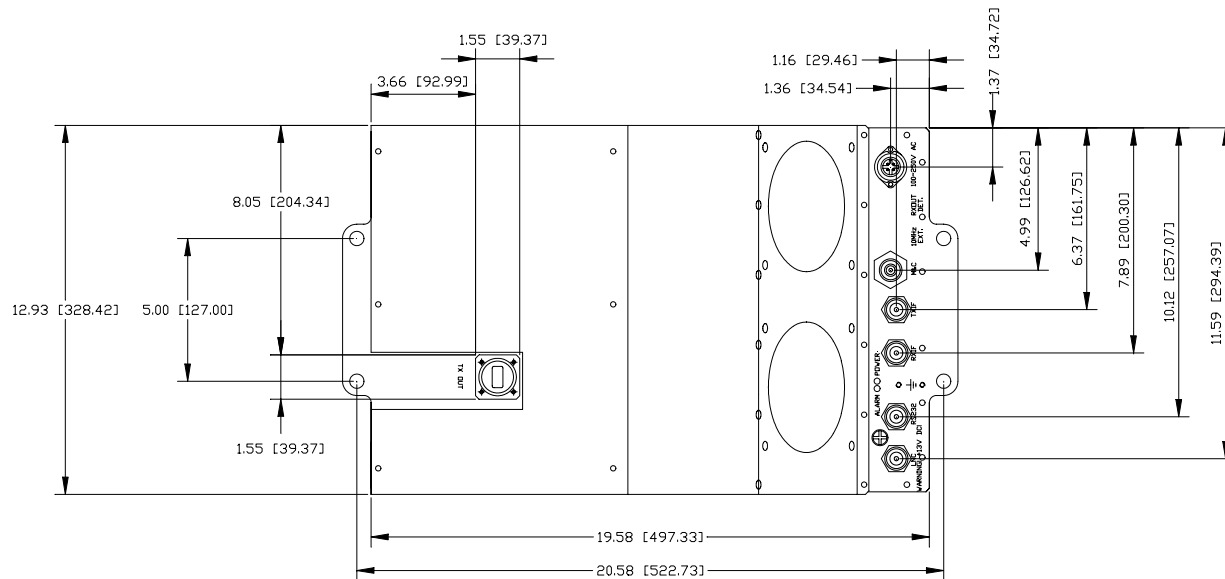
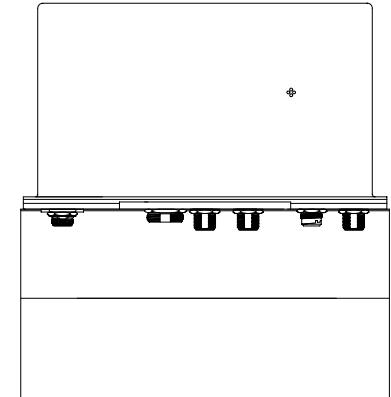
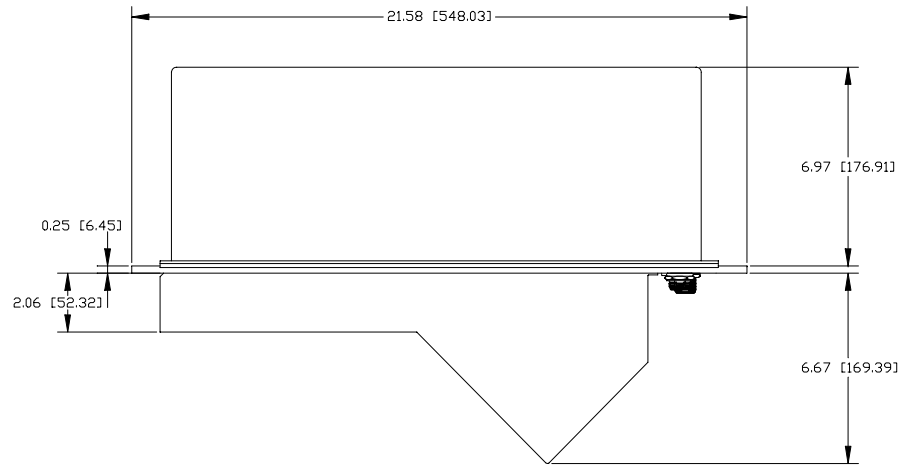
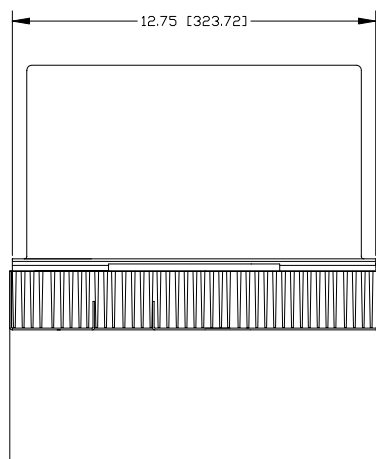


REV	BY	DESCRIPTION	DATE	APPROVED
1	ZHU	PROTOTYPE RELEASED	6/03/02	



ANACOM, INC.

OUTLINE DRAWING
ODU, 40 WATT Ku

SIZE	CLASS CODE	DRAWING NUMBER	REV
D		31553	1

SCALE: NONE FILE No. 31553011 SHEET 1 OF 1